

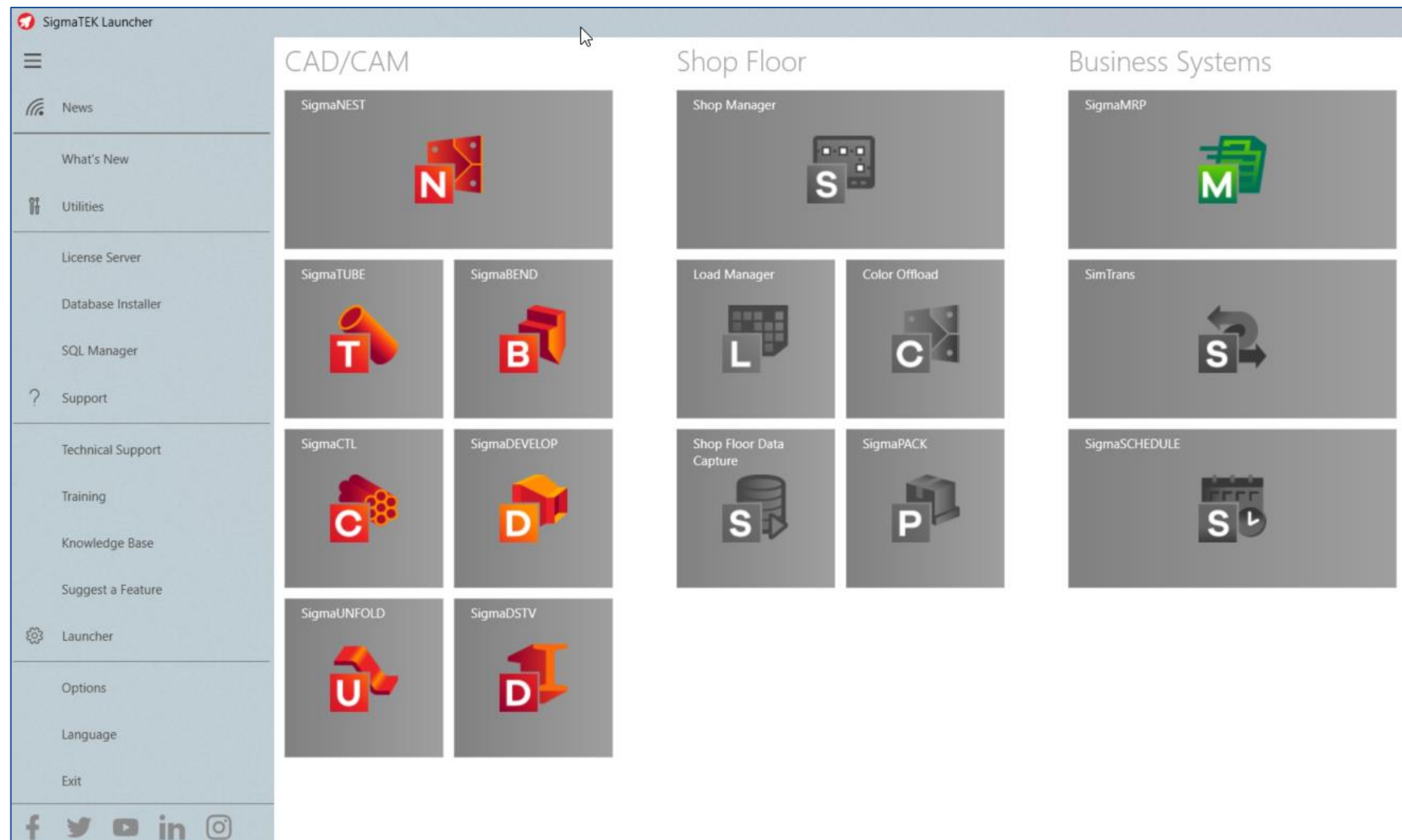


**Manufacturing
Showcase**



SigmaSUITE & SigmaNEST Quoting

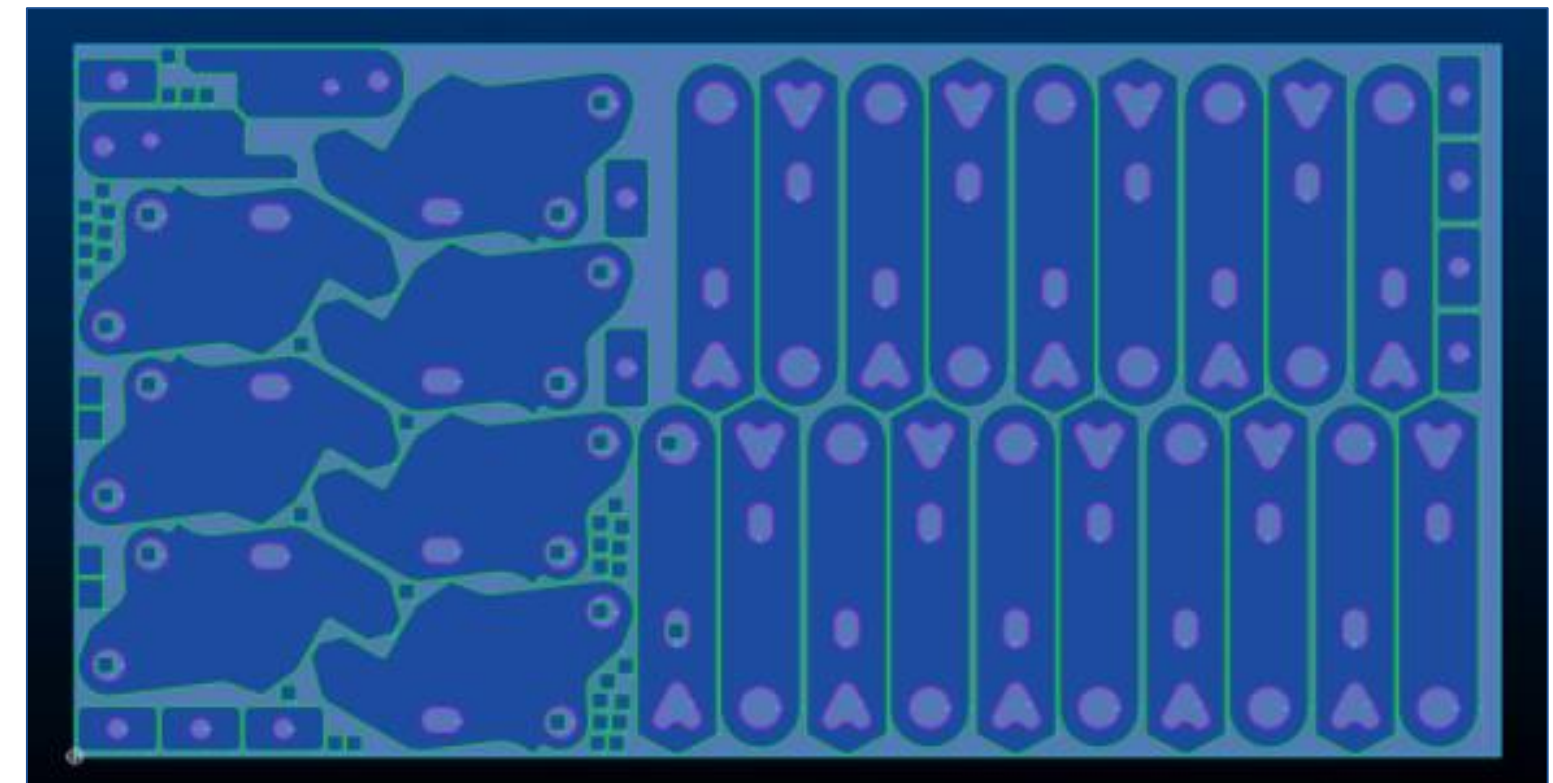
What is the SigmaSUITE?



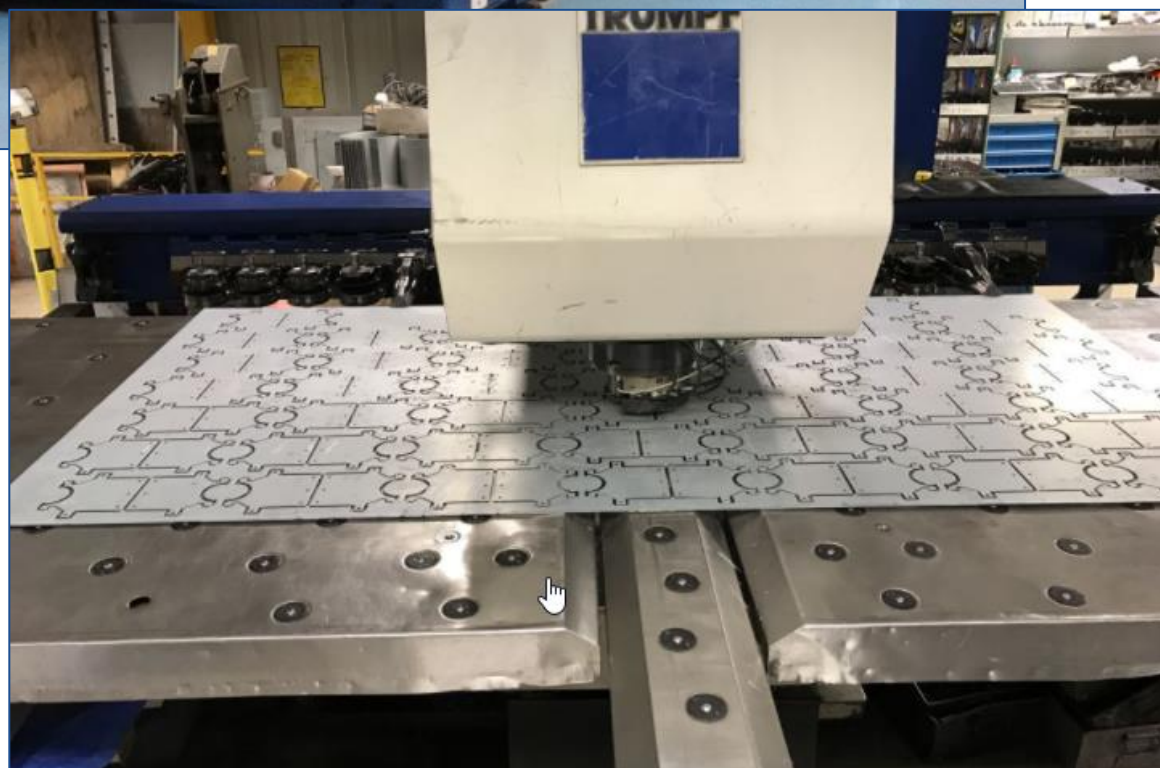
- Standalone product, it does not require SolidWorks.
- A collection of CAD/CAM, Shop floor, and business software especially for Sheet Metal applications
- Users access the Launcher to open all licensed SigmaTEK applications.
- Can be single user setup or network based for multiple users – all using a single database.

SigmaNEST

- Powerful nesting software to run all profiling machines from a single seat.
- Inventory control module – can record all material in and out including any offcuts.
- Nesting algorithms ensure the best use of material – saving customers money.
- Separate settings for machine, material, and material thickness – the user has full control over how parts are nested and cut.
- Import many file formats – DXF, DWG, SolidWorks etc.
- Quoting & Work Order tracking as modules.

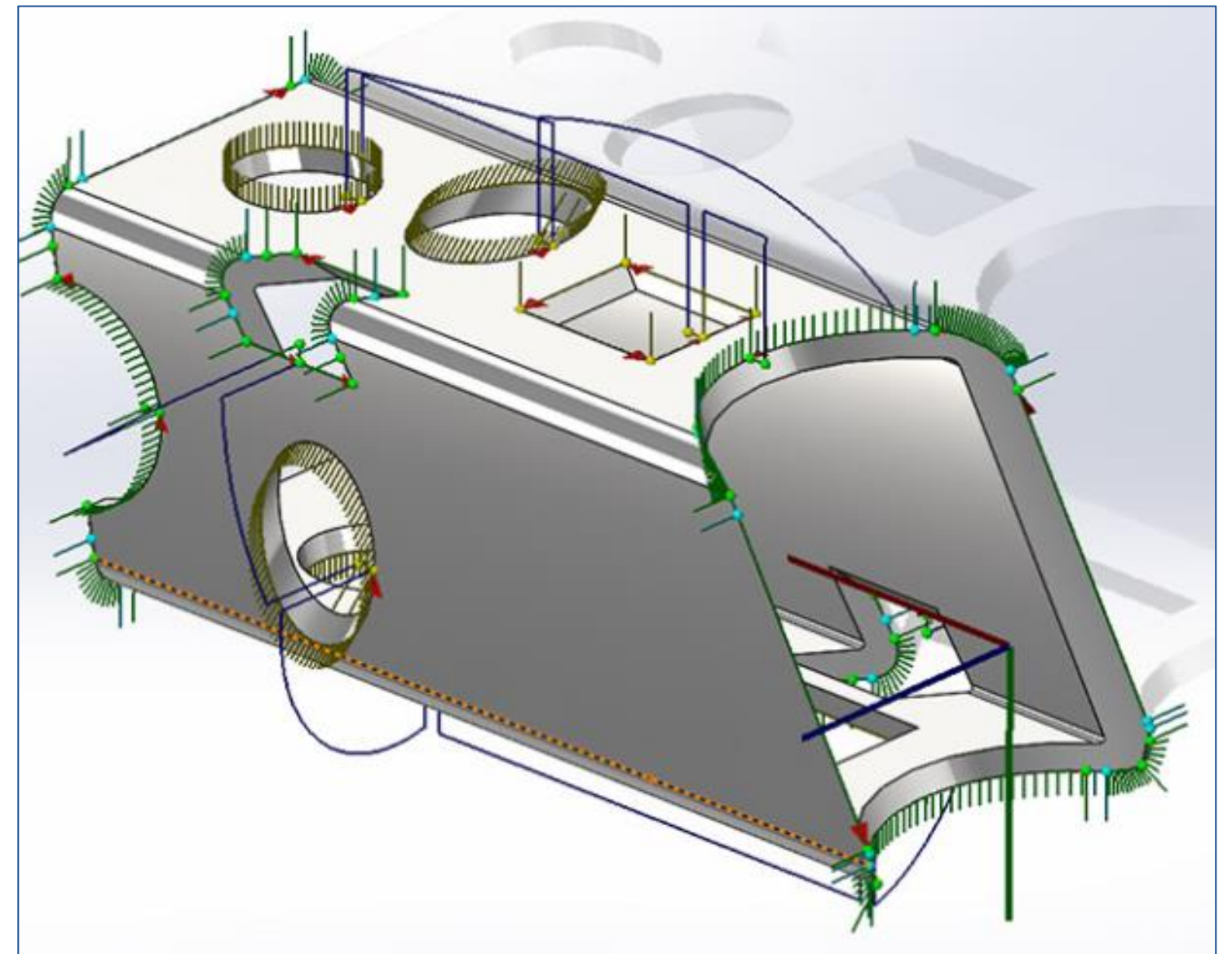


SigmaNEST

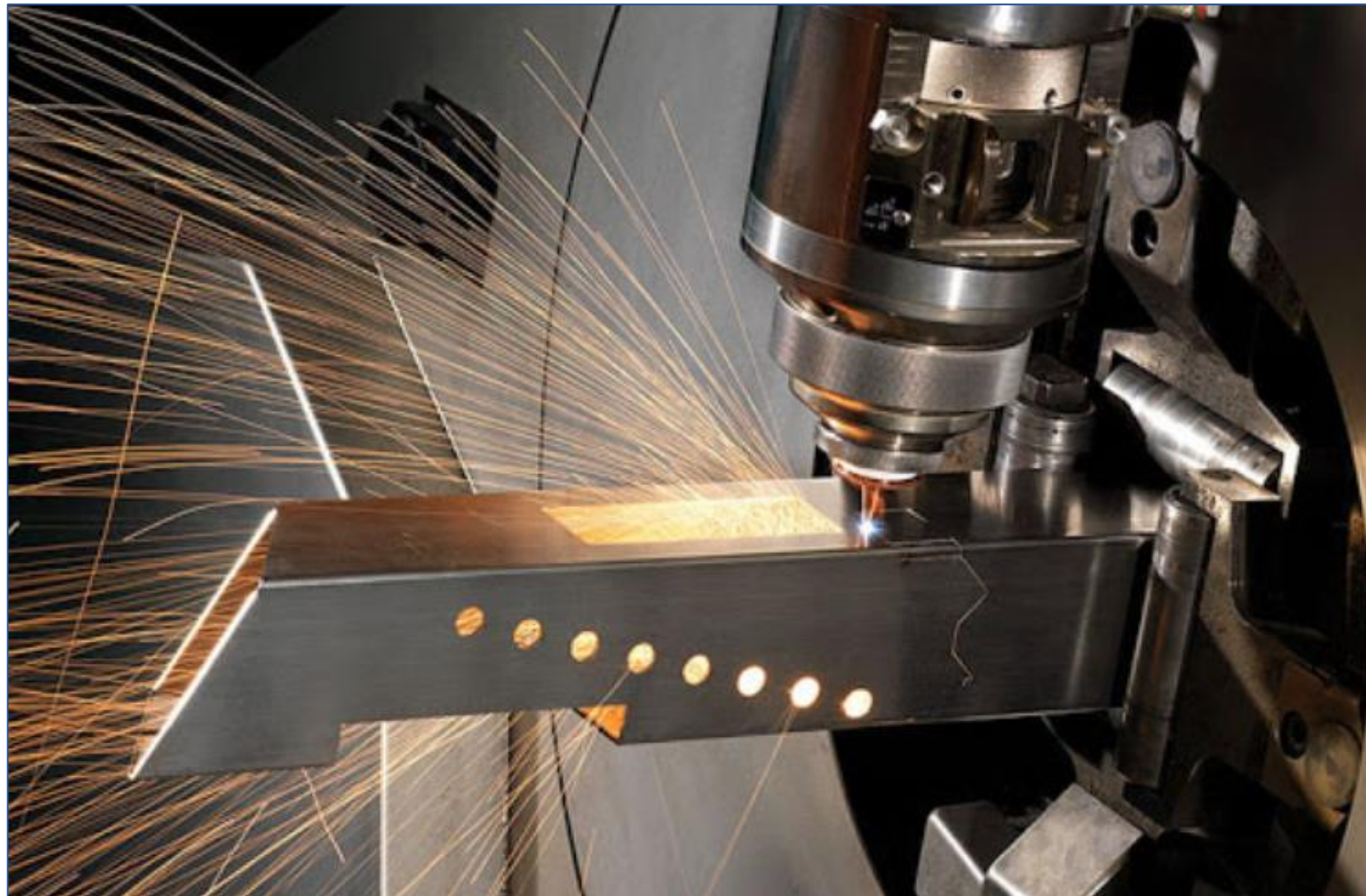


SigmaTUBE

- Tube nesting for Laser machines.
- Standalone or as a SolidWorks Add-in.
- Scans assemblies and identifies tube sections to be cut.
- Import & create parts within SigmaTube
- Automatically groups similar parts.
- HD Trueshape nesting algorithm for better material yield.

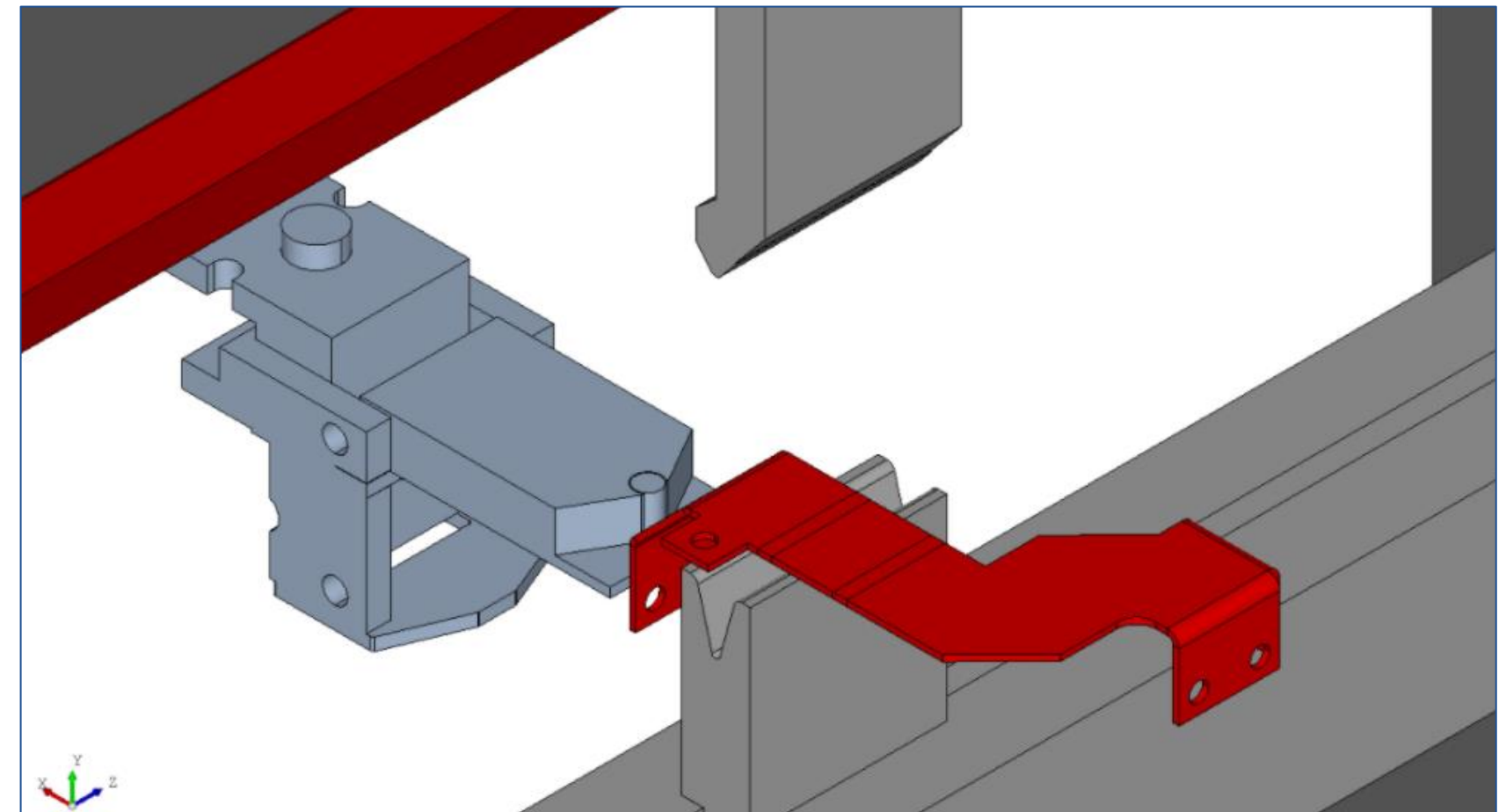


SigmaTUBE



SigmaBEND

- 3d Press Brake software.
- Allows novice users to accurately bend a part correctly.
- Ready to use industry standard tooling library.
- Easy to use interface.
- Automatic sequencing & tool selection.
- Simulate before sending to machine.

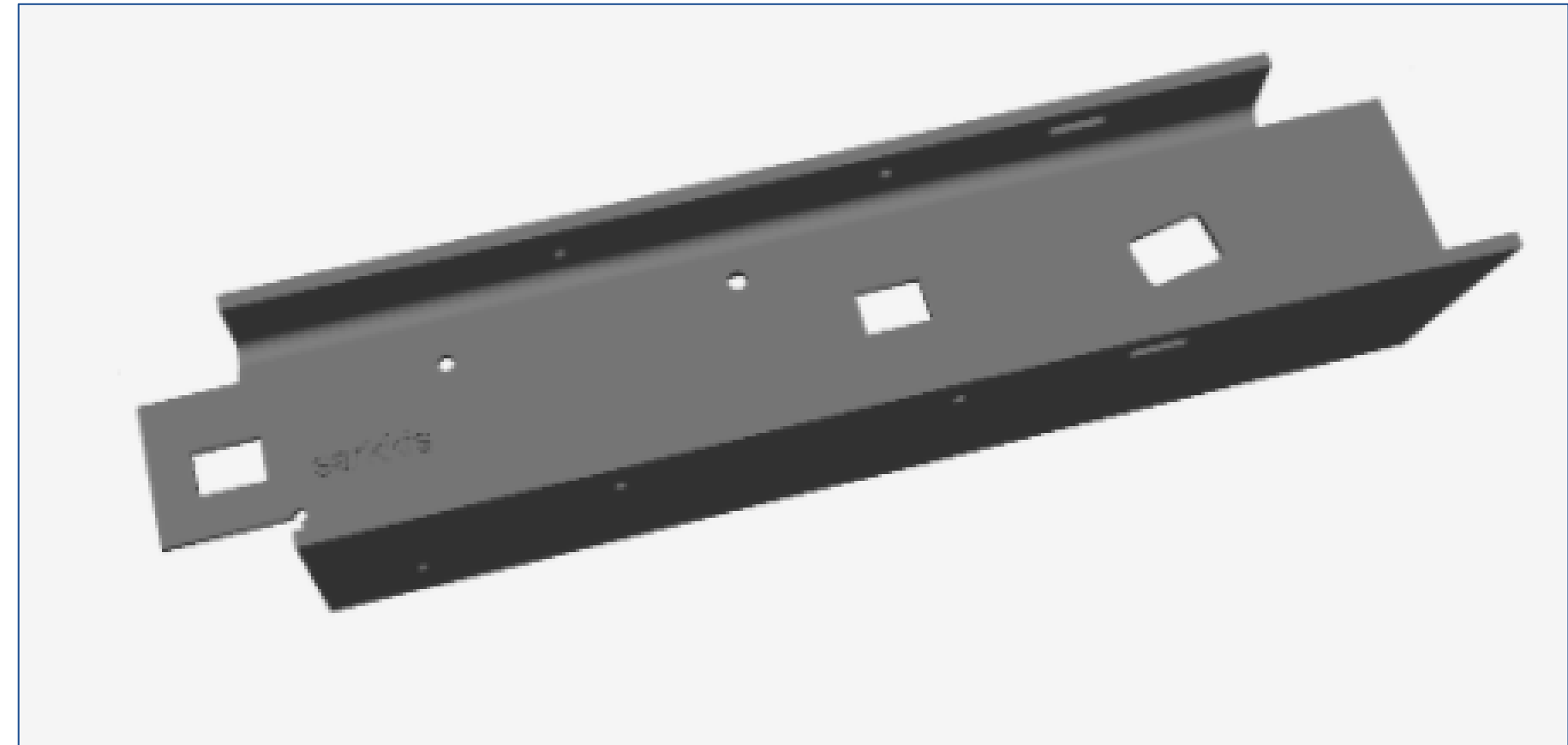


SigmaBEND



SigmaDSTV

- Creates NC1 (DSTV) industry standard files.
- SolidWorks Add-in.
- Import 2d or 3d files (STEP, IGES, SolidWorks).
- Automatic profile recognition – Flat plate, Round, Rectangular, Angle, Channel & I-Beam.



SigmaDSTV



SigmaNEST

Creating a Quote – Single Part Quote



Quote please - Message (HTML)

File Message **Insert** Options Format Text Review Help

Attach File Poll Signature Table Reuse Files Pictures

To [Paul Russell](#)

Cc

Subject Quote please

AA3.DXF
800 bytes


Hi Solid Solutions,

Please help! I am desperate to get this part cut urgently – if you can get this cut today, I am happy to pay premium. Can you please quote ASAP.

I only need one, its Mild Steel, 10mm thick.

Thanks,

Dave,
Managing Director



BodgeIt & Scarper



New Workspace Open Workspace Save Workspace Import DXF Parts List Sheet List Work Orders Program Update New Job
 Standard Shapes Develop Shapes Create Part Create Sheet Part Tile Nesting New Task NC Setup Tool Manager Rule Manager Multi Sheet Nesting Excel Import

<No data to display>

SigmaNEST

Creating a Quote



URGENT JOB!!!!!!



Paul Russell
To Paul Russell

👍 Reply Reply All Forward ...

Thu 28/10/2021 12:09

- | | | | | | | | | |
|---------------------------|---------------------------|---------------------------|---------------------------|---------------------------|---------------------------|---------------------------|---------------------------|--------------------------|
| JB264-1.DXF
.DXF File | JB264-2.DXF
.DXF File | JB264-3.DXF
.DXF File | JB264-4.DXF
.DXF File | JB264-5.DXF
.DXF File | JB264-6.DXF
.DXF File | JB264-7.DXF
.DXF File | JB264-8.DXF
.DXF File | JB264-9.DXF
.DXF File |
| JB264-10.DXF
.DXF File | JB264-11.DXF
.DXF File | JB264-12.DXF
.DXF File | JB264-13.DXF
.DXF File | JB264-14.DXF
.DXF File | JB264-15.DXF
.DXF File | JB264-16.DXF
.DXF File | JB264-17.DXF
.DXF File | |

Hi Chaps,

Please can you get these on the machine **ASAP** – I need these yesterday!

I'm happy to pay premium rates if you can get these cut today!

I need 20 of each, DXFs attached, all Mild Steel, 5mm.

STOP READING...GET CUTTING!

Regards,

Dean,

Managing Director,

Crash Bang & Wallop Eng



New Workspace Open Workspace Save Workspace Import DXF Parts List Sheet List Work Orders Program Update New Job Standard Shapes Develop Shapes Create Part Create Sheet Part Tile Nesting New Task NC Setup Tool Manager Rule Manager Multi Sheet Nesting Excel Import

Files Work Orders Parts Nesting NC - Workspace Plugins - Workspace

<No data to display>

x=915.0000 y=614.0000

SigmaNEST

Using Work Orders



Files Workspace CAD Tools Help

New Workspace Open Workspace Save Workspace Import Parts List Sheet List Work Orders Program Update New Job Standard Shapes Develop Shapes Create Part Create Sheet Part Tile Nesting New Task NC Setup Tool Manager Rule Manager Multi Sheet Nesting Excel Import Plugins - Workspace

<No data to display>

x=915.0000 y=614.0000



SigmaNEST

If you have any questions, please find us on the [SigmaNEST pages](#) or email us on manufacturing@solidsolutions .

